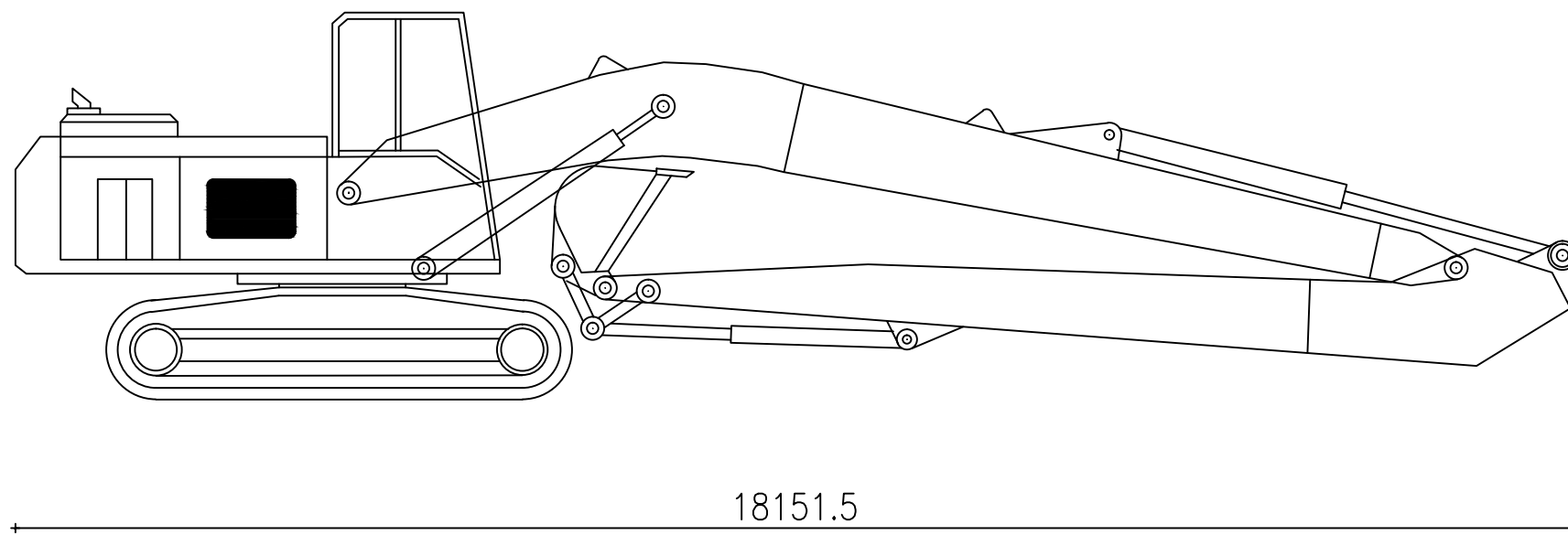


4500



18151.5

Width over tracks = 3,950 mm

Width over body = 3,700 mm

REV.	BY	DATE	DESCRIPTION

THIS DRAWING IS THE PROPERTY OF PROJECT HOLDINGS PTY LTD. THE INFORMATION CONTAINED HEREIN IS CONFIDENTIAL AND IS NOT TO BE REPRODUCED, COPIED, DISSEMINATED OR CONVEYED TO OTHER PARTIES WITHOUT THE WRITTEN CONSENT OF PROJECT HOLDINGS PTY LTD.

COMMENTS

- DRAWING TO DIMENSIONS
- DO NOT SCALE
- METRIC TOLERANCES U.N.O.
- NOMINAL DIMS. ±1.0mm

CGC DREDGING
 15 ALACRITY PCE, HENDERSON, WEST AUSTRALIA 6166
 PH: (08)94105555 FAX: (08)94105500 A.C.N. 008 943 002

EX04 Longreach
 GENERAL ARRANGEMENT
 ELEVATION
 Transport Specifications

SCALE: N.T.S.
 DATE: 9.10.13
 DRAWN: P. COOPER
 CHKD:
 DRAWING No. EX04 LR
 A1